



## COMMERCIAL MICROWAVE OVEN



MODEL:GEW1000E

# INSTRUCTION MANUAL

**ASBURY**  
FOODSERVICE

3355 Enterprise Avenue, Suite 160  
Fort Lauderdale, Florida 33331  
Tel: 954.202.7419 Fax: 954.202.7337  
[www.asburyfoodservice.com](http://www.asburyfoodservice.com)

**PLEASE READ THESE INSTRUCTIONS CAREFULLY BEFORE USING YOUR MICROWAVE OVEN**

# PRECAUTIONS TO AVOID POSSIBLE EXPOSURE TO EXCESSIVE MICROWAVE ENERGY

- (a) Do not attempt to operate this oven with the door open since this can result in harmful exposure to microwave energy. It is important not to break or tamper with the safety interlocks.
- (b) Do not place any object between the oven front face and the door or allow soil or cleaner residue to accumulate on sealing surfaces.
- (c) **Do not operate the oven if it is damaged. It is particularly important that the oven door closes properly and that there is no damage to the:**
  - (1) **DOOR (bent)**
  - (2) **HINGES AND LATCHES (broken or loosened)**
  - (3) **DOOR SEALS AND SEALING SURFACE**
- (d) **The oven should not be adjusted or repaired by anyone except properly qualified service personnel.**

## ADDENDUM

If the apparatus is not maintained in a good state of cleanliness, its surface could be degraded and affect the lifespan of the apparatus and lead to a dangerous situation.

## Specifications

Model:	MWE1000
Rated Voltage:	120V~ 60Hz
Rated Input Power(Microwave):	1500 W
Rated Output Power(Microwave):	1000W
Oven Capacity:	1.0 Cu.ft.
External Dimensions (WxHxD):	20.2X15.6X12.1 inch
Net Weight:	Approx. 39.5 Lbs
Warning:	Handling the cord on this press or cords associated with accessories sold with this product, will expose you to lead a chemical known to the state of California to cause cancer, and birth defects or other reproductive harm. <b>Wash hands after handle.</b>

# SAFETY

1. The oven must be on a leveled surface.
2. The turntable and turntable roller rest must be in the oven during cooking. Place the cookware gently on the turntable and handle it carefully to avoid possible breakage.
3. Incorrect use of browning dish may cause the turntable to break.
4. Use only the specified bag size when using Direct Access Popcorn.
5. The oven has several built-in safety switches to ensure that the power remains off when the door is open. Do not tamper with these switches.
6. Do not operate the microwave oven empty. Operating the oven with no food or food that is extremely low in moisture can cause fire, charring or sparking.
7. Do not cook bacon directly on the turntable. Excessive local heating of the turntable may cause the turntable to break.
8. Do not heat baby bottles or baby food in the microwave oven. Uneven heating may occur and could cause physical injury.
9. Do not heat narrow-necked containers, such as syrup bottles.
10. Do not attempt to deep-fry in your microwave oven.
11. Do not attempt home canning in this microwave oven, as it is impossible to be sure all contents of the jar have reached boiling temperature.
12. Do not use this microwave oven for commercial purpose. This microwave oven is made for household use only.
13. To prevent delayed eruptive boiling of hot liquids and beverages or scalding yourself, stir liquid before placing the container in the oven and again halfway through cooking time. Let stand in the oven for a short time and stir again before removing the container.
14. Use carefully when cooking food in the microwave oven to avoid burning due to excessive cooking.
15. When the appliance is operated in the combination mode, children should only use the oven under adult supervision due to the temperatures generated.
16. Failure to maintain the oven in a clean condition could lead to deterioration that could adversely affect the life of the appliance and possibly result in a hazardous situation.

# IMPORTANT SAFETY INSTRUCTIONS

## WARNING

To reduce the risk of fire, electric shock, injury to persons or exposure to excessive microwave oven energy when using your appliance, follow basic precautions, including the following:

1. Read all instructions before using the appliance.
  2. Read and follow the specific: "PRECAUTIONS TO AVOID POSSIBLE EXPOSURE TO EXCESSIVE MICROWAVE ENERGY" on page 2.
  3. As with most cooking appliances, close supervision is necessary to reduce the risk of a fire in the oven cavity.
- If materials inside the oven ignite:
1. Keep the oven door closed.
  2. Turn the oven off, and unplug the appliance.
  3. Disconnect the power cord, shut off power at the fuse or circuit breaker panel.
  4. Do not overcook food. Carefully attend the appliance when paper, plastic, or other combustible materials are placed inside the oven to facilitate cooking.
  5. Do not use the oven cavity for storage purposes. Do not store combustible items such as bread, cookies, paper products, etc. inside the oven.
  6. Remove wire twist-ties and metal handles from paper or plastic containers/bags before placing them in the oven.
  7. This oven must be grounded. Connect only to properly grounded outlet. See "GROUNDING INSTRUCTIONS" on page 5.
  8. Install or locate this oven only in accordance with the installation instructions provided.
  9. Some products such as whole eggs, water with oil or fat, sealed to explode and therefore should not be heated in this oven.
  10. Use this appliance only for its intended uses as described in this manual. Do not use corrosive chemicals or vapors in this appliance. This oven is specifically designed to heat or cook food. It is not designed for industrial or laboratory use.
  11. As with any appliance, close supervision is necessary when used by children.
  12. Do not operate this oven if it has a damaged cord or plug, if it is not working properly or if it has been damaged or dropped.
  13. This appliance should be serviced only by qualified service technicians. Contact the nearest authorized service facility for examination, repair or adjustment.
  14. Do not cover or block any vents on the oven.
  15. Do not store or use this appliance outdoors.
  16. Do not use this oven near water, for example, near a kitchen sink, in a wet basement, near a swimming pool, or similar locations.
  17. Do not immerse cord or plug in water.
  18. Keep cord away from heated surfaces.
  19. Do not let cord hang over edge of table or counter.
  20. When cleaning door and oven surfaces use only mild, nonabrasive soaps or detergents applied with a sponge or soft cloth.

21. Liquids, such as water, coffee, or tea are able to be overheated beyond the boiling point without appearing to be boiling. Visible bubbling or boiling when the container is removed from the microwave oven is not always present. THIS COULD RESULT IN VERY HOT LIQUIDS SUDDENLY BOILING OVER WHEN THE CONTAINER IS DISTURBED OR A SPOON OR OTHER UTENSIL IS INSERTED INTO THE LIQUID.

- i) Do not overheat the liquid.
- ii) Stir the liquid both before and halfway through heating it.
- iii) Do not use straight-sided containers with narrow necks.
- iv) After heating, allow the container to stand in the microwave oven for a short time before removing the container.
- v) Use extreme care when inserting a spoon or other utensil into the container.

## **SAVE THESE INSTRUCTIONS**

### **To Reduce the Risk of Injury to Persons**

### **GROUNDING INSTALLATION**

#### **DANGER**

##### **Electric Shock Hazard**

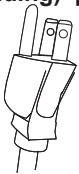
Touching some of the internal components can cause serious personal injury or death. Do not disassemble this appliance.

#### **WARNING**

##### **Electric Shock Hazard**

Improper use of the grounding can result in electric shock. Do not plug into an outlet until appliance is properly installed and grounded.

##### **Three-pronged (grounding) plug**



This appliance must be grounded. In the event of an electrical short circuit, grounding reduces the risk of electric shock by providing an escape wire for the electric current. This appliance is equipped with a cord having grounding wire with a grounding plug. The plug must be

plugged into an outlet that is properly installed and grounded.

Consult a qualified electrician or serviceman if the grounding instructions are not completely understood or if doubt exists as to whether the appliance is properly grounded. If it is necessary to use an extension cord, use only a 3-wire extension cord that has a 3-pronged grounding plug, and a 3-slot receptacle that will accept the plug on the appliance. The marked rating of the extension cord shall be equal to or greater than the electrical rating of the appliance.

1. A short power-supply cord is provided to reduce the risks resulting from becoming entangled in or tripping over a longer cord.
2. Longer cord sets or extension cord is provided to reduce the risks resulting from becoming entangled in or tripping over a longer cord.
3. If a long cord sets or extension cord is used:
  - 1) The marked electrical rating of the cord set or extension marked electrical rating of the cord set or extension cord should be at least as great as the electrical rating of the appliance.
  - 2) The extension cord must be a grounding-type 3-wire cord.
  - 3) The longer cord should be arranged so that it will not drape over the countertop or tabletop where it can be pulled on by children or tripped over unintentionally.

# UTENSILS

See the instructions on "Materials you can use in microwave oven or to be avoided in microwave oven."

There may be certain non-metallic utensils that are not safe to use for microwaving. If in doubt, you can test the utensil in question following the procedure below.

## CAUTION

### Personal Injury Hazard

Tightly-closed utensils could explode. Closed containers should be opened and plastic pouches should be pierced before cooking.

### Utensil Test:

1. Fill a microwave-safe container with 1 cup of cold water (250ml) along with the utensil in question.
2. Cook on maximum power for 1 minute.
3. Carefully feel the utensil. If the empty utensil is warm, do not use it for microwave cooking.
4. Do not exceed 1 minute cooking time.

## Materials you can use in microwave oven

### Utensils Remarks

Aluminum foil	Shielding only. Small smooth pieces can be used to cover thin parts of meat or poultry to prevent overcooking. Arcing can occur if foil is too close to oven walls. The foil should be at least 1 inch (2.5cm) away from oven walls.
Browning dish	Follow manufacturer's instructions. The bottom of browning dish must be at least 3/16 inch (5mm) above the turntable. Incorrect usage may cause the turntable to break.
Dinnerware	Microwave-safe only. Follow manufacturer's instructions. Do not use cracked or chipped dishes.
Glass jars	Always remove lid. Use only to heat food until just warm. Most glass jars are not heat resistant and may break.
Glassware	Heat-resistant oven glassware only. Make sure there is no metallic trim. Do not use cracked or chipped dishes.
Oven cooking bags	Follow manufacturer's instructions. Do not close with metal tie. Make slits to allow steam to escape.
Paper plates and cups	Use for short-term cooking/warming only. Do not leave oven unattended while cooking.
Paper towels	Use to cover food for reheating and absorbing fat. Use with supervision for a short-term cooking only.
Parchment paper	Use as a cover to prevent splattering or a wrap for steaming.
Plastic	Microwave-safe only. Follow the manufacturer's instructions. Should be labeled "Microwave Safe". Some plastic containers soften, as the food inside gets hot. "Boiling bags" and tightly closed plastic bags should be slit, pierced or vented as directed by package.
Plastic wrap	Microwave-safe only. Use to cover food during cooking to retain moisture. Do not allow plastic wrap to touch food.
Thermometers	Microwave-safe only (meat and candy thermometers).
Wax paper	Use as a cover to prevent splattering and retain moisture.

## Materials to be avoided in microwave oven

### Utensils Remarks

Aluminum tray	May cause arcing. Transfer food into microwave-safe dish.
Food carton with metal handle	May cause arcing. Transfer food into microwave-safe dish.
Metal or metal-trimmed utensils	Metal shields the food from microwave energy. Metal trim may cause arcing.
Metal twist ties	May cause arcing and could cause a fire in the oven.
Paper bags	May cause a fire in the oven.
Plastic foam	Plastic foam may melt or contaminate the liquid inside when exposed to high temperature.
Wood	Wood will dry out when used in the microwave oven and may split or crack.

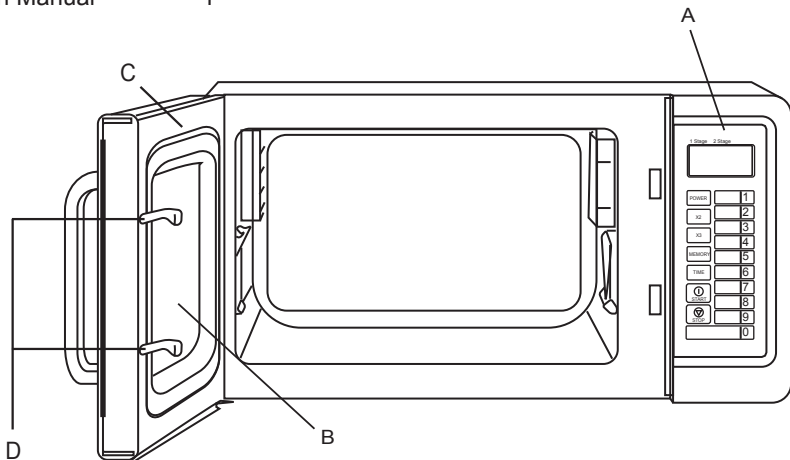
## SETTING UP YOUR OVEN

### Names of Oven Parts and Accessories

Remove the oven and all materials from the carton and oven cavity.

Your oven comes with the following accessories:

Turntable ring assembly	1
Instruction Manual	1



- A) Control panel
- B) Observation window
- C) Door assembly
- D) Safety interlock system

# Countertop Installation

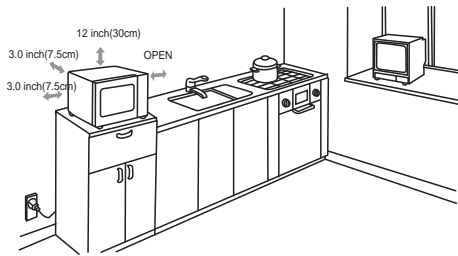
Remove all packing material and accessories. Examine the oven for any damage such as dents or broken door. Do not install if oven is damaged.

Cabinet: Remove any protective film found on the microwave oven cabinet surface. Do not remove the light brown Mica cover that is attached to the oven cavity to protect the magnetron.

---

## Installation

1. Select a level surface that provide enough open space for the intake and/or outlet vents.



A minimum clearance of 3.0 inches (7.5cm) is required between the oven and any adjacent walls. One side must be open.

- (1) Leave a minimum clearance of 12 inches (30cm) above the oven.
- (2) Do not remove the legs from the bottom of the oven.

- (3) Blocking the intake and/or outlet openings can damage the oven.
  - (4) Place the oven as far away from radios and TV as possible. Operation of microwave oven may cause interference to your radio or TV reception.
2. Plug your oven into a standard household outlet. Be sure the voltage and the frequency is the same as the voltage and the frequency on the rating label.

**WARNING:** Do not install oven over a range cooktop or other heat-producing appliance. If installed near or over a heat source, the oven could be damaged and the warranty would be void.

# Cleaning Instructions

## Always keep the oven clean

1. Cleaning the glass viewing window, the inner door panel and oven front face.

For best performance and to maintain the high degree of safety, the inner door panel and oven front face should be free of food or grease build-up. Wipe these parts with a mild detergent, rinse and wipe dry. Never use abrasive powders or pads.

2. Cleaning the control panel and plastic parts.

Do not apply a detergent or an alkaline liquid spray to the control panel and plastic parts, as this may cause damage to these parts.

Use a dry cloth (not a soaked cloth) to clean these parts.

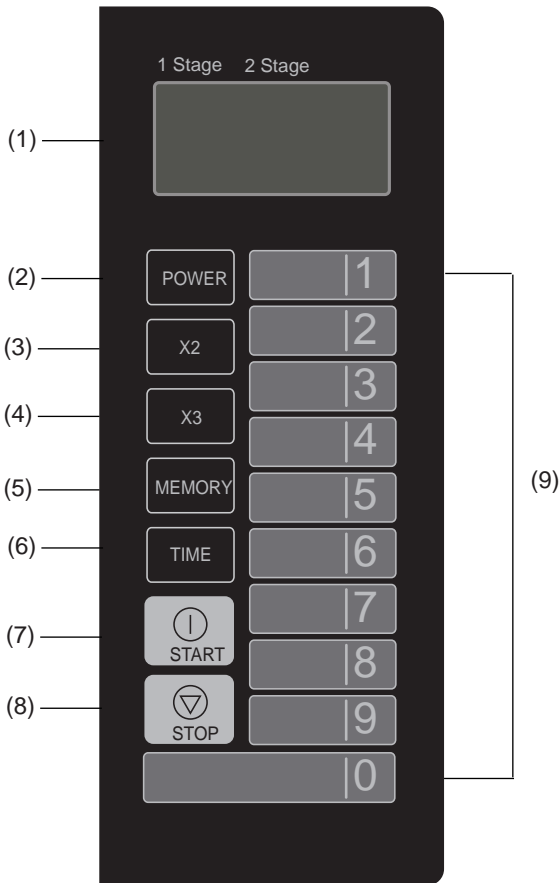
3. Cleaning the oven interior

After use be sure to clean up spilled liquids, spattered oil and food debris as quickly as possible. If the oven is used when dirty, efficiency drops and the dirt gets stuck on the oven surface and may cause bad odours. Clean the interior with a cloth soaked in luke-warm water with a mild detergent dissolved in it, then rinse the soap off with a damp cloth.

**CAUTION:** Do Not wipe plastic and painted sections of the oven with bleach, thinners or other cleaning agents, as this may cause these parts to dissolve or change shape.

# OPERATION

## Control Panel and Features



- (1) LED display-Cooking time, power level, function indicator are displayed.
- (2) Power Key- Choose the power level.
- (3) X2 Key- For setting cooking to double quantities. Time can be twice as before.
- (4) X3 Key- For setting cooking to triple quantities. Time can be three times as before.
- (5) Memory Key-For entering the desired power output and cooking time.
- (6) Time Key-For choosing the desired cooking time.
- (7) Start Key-For start of programmed cooking.
- (8) Stop Key-For cancelling setting,interrupting the setting process when a mistake has been made, or stopping cooking before completion of the cooking process.
- (9) Number Key-For determining power and cooking time.

# OPERATION INSTRUCTION

The buzzer will sound once and "0:00" will display when the oven is electrified for the first time.

## 1. Microwave Cooking

1) In waiting state, press "POWER", "PL10" displays.

2) Press number keys between 0-9 to choose power level.

For example, when choose 60% microwave power, press "6", "PL6" displays.

The default power is PL10 if this step ignored.

3) Press "TIME", "0:00" displays.

4) Press number keys 0-9 to input the cooking time.

The maximum time is 30 minutes between PL10 to PL7.

The maximum time is 60 minutes between PL6 to PL0.

5) Press "START" to start cooking.

Note:

a. If the setting power is PL10, step 1 and 2 can be ignored. And start the program with step 3 directly.

b. During program setting process, if "STOP" key is pressed or no operation in one minute, the setting will cancelled.

11 power levels are available.

Level	10	9	8	7	6	5	4	3	2	1	0
Power	100%	90%	80%	70%	60%	50%	40%	30%	20%	10%	0%
Display	PL10	PL9	PL8	PL7	PL6	PL5	PL4	PL3	PL2	PL1	PL0

## 2. Speedy Cooking

1) In waiting state, press " TIME " key directly, "0:00" displays.

Press number keys 0-9 to input the cooking time. The default power is 100%.

The maximum time is 30 minutes. After setting the time, press "START" to start cooking.

2) In waiting state, press "START" to start cooking with 30 seconds at 100% microwave power. Each press on the same button, 30 seconds will be increased.

The maximum time is 30 minutes.

Note:

a. During cooking, including multi-stage, press "START" to increase the cooking time and the power will not change.

b. If the memory procedure is operated, press "START" to increase the time. And the program will not change.

### 3. Multi-Stage Cooking

Two stages can be maximumly set. The buzzer will ring once after each stage and the next stage will begin.

Note: Memory function cannot be set as one of the multi-stage.

Example: if you want to cook the food with 70% microwave power for 5 minutes, then to cook with 50% microwave power for 7 minutes. The steps are as following:

- 1) In waiting state, press " POWER " once, "PL10" displays.
- 2) Press "7" to choose 70% microwave power and "PL7" display.
- 3) Press "TIME", "0:00" displays.
- 4) Press "5", "0", "0" to input the cooking time.
- 5) Press "POWER" once.
- 6) Press "5" to choose 50% microwave power and "PL5" display.
- 7) Press "TIME", "0:00" displays.
- 8) Press "7", "0", "0" to input the cooking time.
- 9) Press "START" to start cooking.

Note: if one stage is PL10 power, press "TIME" directly and then press number keys to input the cooking time.

### 4. Memory Function

- (1) Press 0-9 number keys to choose memory procedure. The LED will display 0,1,2,3...9.
- (2) If the procedure has been set, press " START" to use it. If not, continue to set the procedure. Only one or two stages can be set.
- (3) After finishing the setting, press "MEMORY" to save the procedure and turn back to the waiting states. If press " START", it can save and operate the setting.

Example: to set the following procedure as the memory 3.

To cook the food with 80% microwave power for 3 minutes and 20 seconds, and then 90% microwave power for 5 minutes and 40 seconds.

The steps are as follow:

- a. In waiting state, press "MEMORY", "0:00" displays.
- b. Press "3" and save as memory 3.
- c. Press "POWER", "PL10" displays.
- d. Press "8" to choose 80% microwave power. "PL8" displays.
- e. Press "TIME", "0:00" displays.
- f. Press "3", "2", "0" to choose cooking time.
- g. Press "POWER", "PL10" displays.
- h. Press "9" to choose 90% microwave power. "PL9" displays.
- i. Press "TIME", "0:00" displays.

j. Press "5","4","0" to choose cooking time.

k. Press "MEMORY" to save the setting to number 3.

Or press "START" to start the cooking and save the program to number 3.

Note:

1) The program will save all the time if the electricity is cut off.

2) If you want to modify the program, repeat the above steps to reset and save.

## 5. Multi-Quantity Function

(1) In waiting state, press "X2" ,"2" will display.

(2) Press number keys from 0 to 9 to start memory function.

The cooking time of the saved program will be twice (X2) or three times (X3) as before.

For example:

the previous program: cook the food with 80% microwave power for 3 minutes and 20 seconds, and then 90% microwave power for 5 minutes and 30 seconds.

And now the program will operate: cook the food with 80% microwave power for 6 minutes and 40 seconds, and then 90% microwave power for 11 minutes.

Note: If "X2" or "X3" is pressed, the time exceeds the maximum time, the oven cannot start cooking and the buzzer will alarm once.

## 6. Lock-out Function for Children

Lock: In waiting state, press "STOP" for 3 seconds, there will be a long "beep" denoting entering the children-lock state and screen will display "E - - -".

Lock quitting: In locked state, press "STOP" for 3 seconds, there will be a long "beep" denoting that the lock is released.

## 7. Inquiring Function

1) In cooking states of microwave, press " POWER", the current power will be displayed for 3 seconds.

2) Memory state check: when checking, the oven door must be opened.

If only one stage saved, press the number key 0-9, the power level will display for 3 seconds and then the cooking time will display for 3 seconds.

If two stages saved, press the number key 0-9, power level of the first stage will display for 3 seconds and then the cooking time will display for 3 seconds. Then the power level and time of second stage will display.

## 8. Cooking End Reminding Function

When cooking ends, there will be 5 beeps which is reminding the completion of cooking.

## 9. Display Specification

- (1) In waiting state, LED will display clock and " : " will flash.
- (2) In function setting state, LED will display the related setting.
- (3) In the operation and suspending state, LED will display the residual cooking time.

# Maintenance

## Troubleshooting

Check your problem by using the chart below and try the solutions for each problem. If the microwave oven still does not work properly, contact the nearest authorized service center.

TROUBLE	POSSIBLE CAUSE	POSSIBLE REMEDY
Oven will not start	<ul style="list-style-type: none"> <li>a. Electrical cord for oven is not plugged in.</li> <li>b. Door is open.</li> <li>c. Wrong operation is set.</li> </ul>	<ul style="list-style-type: none"> <li>a. Plug into the outlet.</li> <li>b. Close the door and try again.</li> <li>c. Check instructions.</li> </ul>
Arcing or sparking	<ul style="list-style-type: none"> <li>a. Materials to be avoided in microwave oven were used.</li> <li>b. The oven is operated when empty.</li> <li>c. Spilled food remains in the cavity.</li> </ul>	<ul style="list-style-type: none"> <li>a. Use microwave-safe cookware only.</li> <li>b. Do not operate with oven empty.</li> <li>c. Clean cavity with wet towel.</li> </ul>
Unevenly cooked foods	<ul style="list-style-type: none"> <li>a. Materials to be avoided in microwave oven were used.</li> <li>b. Food is not defrosted completely.</li> <li>c. Cooking time, power level is not suitable.</li> <li>d. Food is not turned or stirred.</li> </ul>	<ul style="list-style-type: none"> <li>a. Use microwave-safe cookware only.</li> <li>b. Completely defrost food.</li> <li>c. Use correct cooking time, power level.</li> <li>d. Turn or stir food.</li> </ul>
Overcooked foods	Cooking time, power level is not suitable.	Use correct cooking time, power level.
Undercooked foods	<ul style="list-style-type: none"> <li>a. Materials to be avoided in microwave oven were used.</li> <li>b. Food is not defrosted completely.</li> <li>c. Oven ventilation ports are restricted.</li> <li>d. Cooking time, power level is not suitable.</li> </ul>	<ul style="list-style-type: none"> <li>a. Use microwave-safe cookware only.</li> <li>b. Completely defrost food.</li> <li>c. Check to see that oven ventilation ports are not restricted.</li> <li>d. Use correct cooking time, power level.</li> </ul>
Improper defrosting	<ul style="list-style-type: none"> <li>a. Materials to be avoided in microwave oven were used.</li> <li>b. Cooking time, power level is not suitable.</li> <li>c. Food is not turned or stirred.</li> </ul>	<ul style="list-style-type: none"> <li>a. Use microwave-safe cookware only.</li> <li>b. Use correct cooking time, power level.</li> <li>c. Turn or stir food.</li> </ul>