



Project Name:

Location:

Item:

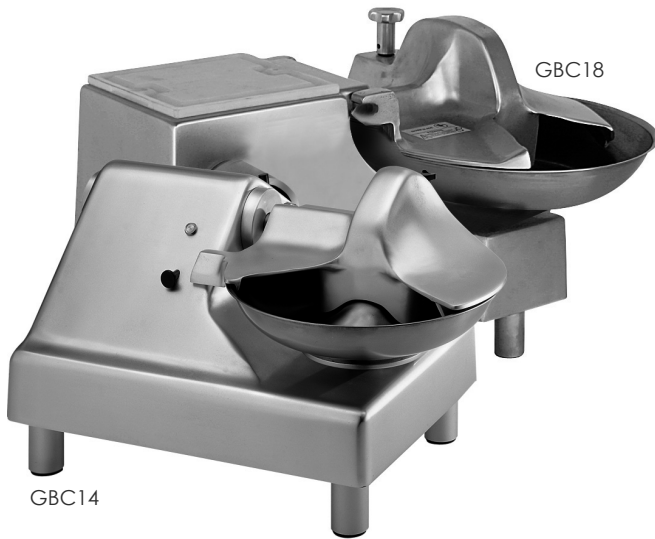
Qty.:

Model:

# GBC14/18

## 14" & 18" Heavy Duty Bowl Cutter

FEATURE LIST		
Model:	GBC14	GBC18
Description:	Bowl Cutter with 14"/356 mm Bowl	Bowl Cutter with 18"/457 mm Bowl Built In #12 PTO Hub
Voltage:	220/50-60/1	220/50-60/1
Rated Power:	1/2 Hp	1 Hp
Bowl:	1.3 Gallon / 5 Liter Stainless Steel 24 RPM	2.6 Gallon / 10 Liter Stainless Steel 22 RPM
Finish:	High Polish Anodized Aluminium	High Polish Anodized Aluminium
Weight:	84 lbs 38 kg	143 lbs 65 kg
Dimensions:	W 27" x D 18" x H 16" W 386 x D 445 x H 403mm	W 33" x D 22" x H 18" W 825 x D 550 x H 450mm



### GBC14/18 Bowl Cutter

The GBC14 and GBC18 are capable of handling a multitude of food preparation jobs and are designed with volume production in mind. Regardless of the product you choose, at 3500/3450 cuts per minute, the cutlery grade stainless steel knives will cut it as coarse or as fine as you choose! Control the coarseness of the cut easily; the longer the product remains in the unit, the finer the cut. Whether you need to cut meats, cheeses, breads, leafy greens or hard vegetables, the General Bowl Cutters handle it all! The GBC 18 also includes a built in #12 PTO hub, which makes it easy to add additional attachments such as vegetable cutters, shredders and graters, meat and food choppers, and more! Also perfect for dips, salads, and spreads! The GBC14 and GBC18 truly are universal cutters that will improve efficiency in any environment.



Specifications subject to change without notice.

Approvals: UL,NSF,CE



**GENERAL**

3355 Enterprise Ave • Suite 160 • Ft. Lauderdale, FL 33331  
 Tel: 954.202.7419 • Fax: 954.202.7337 • www.asburyfoodservice.com  
 General's continuing commitment to quality products may mean a change in specification or pricing without notice.

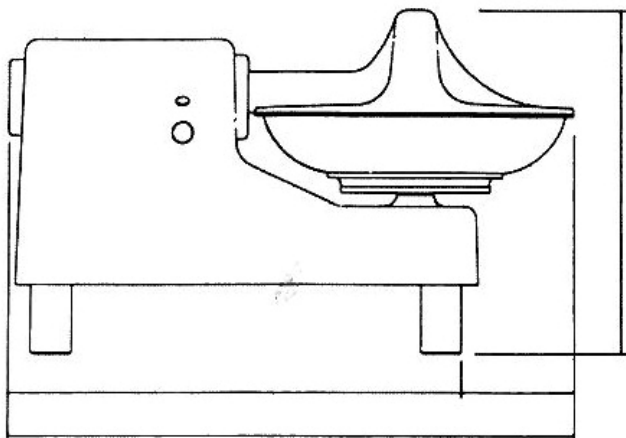


# GBC14/18

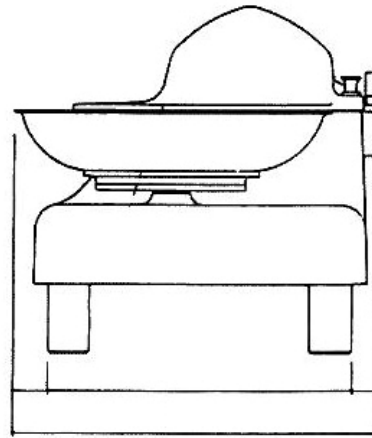
## 14" & 18" Heavy Duty Bowl Cutter

### PLAN VIEW

**A.= GBC14**  
**B.= GBC18**



**A. 27"/386mm**  
**B. 33"/825mm**



**A. 18"/445mm**  
**B. 22"/550mm**

### Dimensional Data

Model	Description	Voltage	Power	Bowl	Dimensions	Weight
GBC14	Bowl Cutter	220/50-60/1	1/2 Hp	14"/35.6 cm	W 27" x D 18" x H 16" W 386 x D 445 x H 403mm	84 lbs/38 kg
GBC18			1 Hp	18"/45.7 cm	W 33" x D 22" x H 18" W 825 x D 550 x H 450mm	143 lbs/65 kg

- Cutter Housing and Bowl Cutter is made of anodized cast aluminum with a highly polished satin finish
- GBC18 includes industry standard #12 PTO hub for attaching vegetable cutter, shredder/grater, and more
- Knife shaft is ball bearing mounted and driven by a ribbed poly "V" belt
- Automatic belt tensioning on knives
- Fan cooled motor
- All food-contact components are detachable by hand and require minimal maintenance
- GBC14 features a Pull/Push On/Off Button
- GBC18 features a momentary contact stop & start push button/2 pole contactor
- Cutting board is reversible and dish washer safe

- 5 foot (1524 mm) long SJT cord with 3 prong molded plug (NEMA)
- Bowl cover interlock prevents unit from running when cover is positioned improperly
- Sensing switch ensures unit does not run without bowl in place
- NSF/CE Approved and UL Listing pending
- Bowl Speed – 24 RPM (GBC14) / 22 RPM (GBC 18)
- Knife Blades – 3500 cuts per minute (GBC14) / 3450 cuts per minute (GBC 18)
- Motor – 220V, 50-60Hz, Single Phase



**GENERAL**

3355 Enterprise Ave • Suite 160 • Ft. Lauderdale, FL 33331  
Tel: 954.202.7419 • Fax: 954.202.7337 • [www.asburyfoodservice.com](http://www.asburyfoodservice.com)  
General's continuing commitment to quality products may mean a change in specification or pricing without notice.