



# COMMERCIAL POUROVER BREWER

Project Name:

Location:

Item:

Qty.:

Model:

# GCB128

## Stainless Steel Pourover Brewer



## GCB128

### Pourover Brewer

General Pourover Brewers feature a stainless steel exterior that is durable and easy to clean. With a brew capacity of 120 cups per hour, these machines are efficiently designed for high performance and high output. The dual warmers provide flexibility and additional options while operating at an optimal 176°F (80°C).

### FEATURE LIST

Model:	GCB128
Capacity:	12 Cups Per Brew / 120 Cups Per Hour
Electrical:	120/60/1, 220/50-60/1
Amperage:	13.75 / 7.5
Wattage:	1650
Warming Temperature:	176°F / 80°C
Control Method:	On / Off Switch
Net/Shipping Weights:	22 / 24 lb (10 / 11 kg)
Dimensions:	9" W x 14" D x 18" H 229mm W x 356mm D x 457 mm H



Specifications subject to change without notice.

Approvals:



**GENERAL**

3355 Enterprise Ave • Suite 160 • Ft. Lauderdale, FL 33331

Tel: 954.202.7419 • Fax: 954.202.7337 • [www.asburyfoodservice.com](http://www.asburyfoodservice.com)

General's continuing commitment to quality products may mean a change in specification or pricing without notice.



Project Name:

Location:

Item:

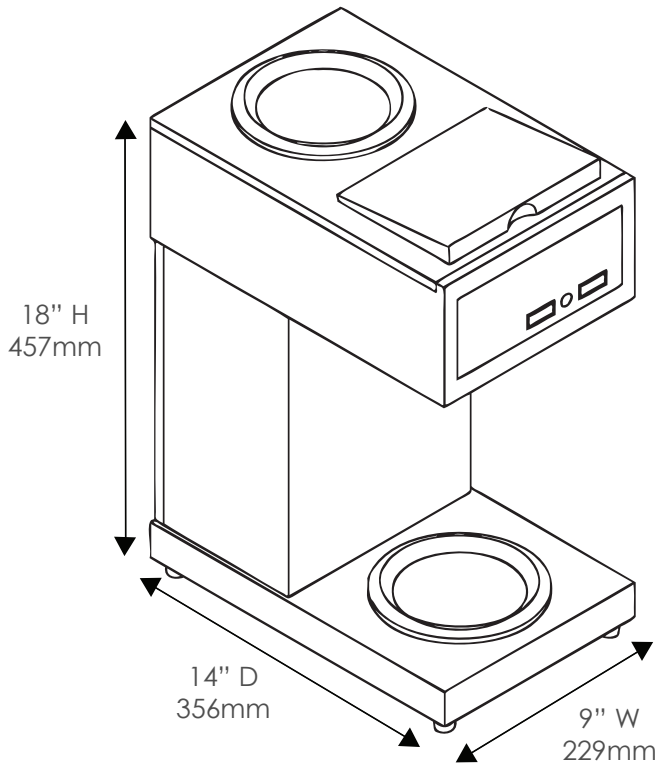
Qty.:

Model:

**GCB128**

Pourover Brewer

PLAN VIEW



Dimensional Data

Model	Capacity	Electrical	Amperage	Wattage	Warming Temp	Control Method	Dimensions
GCB128	12 Cups Per Brew / 120 Cups Per Hour	120/60/1, 220/50-60/1	13.75 / 7.5	1650	176°F / 80°C	On / Off Switch	9" W x 14" D x 18" H 229mm W 356mm D 457 mm H

- 12 cups per brew
- 120 cups per hour output
- Stainless steel exterior
- Easy to operate On/Off switch
- Dual warming zones

- Warming temperature of 176°F (80°C)
- Coffee carafe not included



**GENERAL**

3355 Enterprise Ave • Suite 160 • Ft. Lauderdale, FL 33331  
 Tel: 954.202.7419 • Fax: 954.202.7337 • www.asburyfoodservice.com  
 General's continuing commitment to quality products may mean a change in specification or pricing without notice.