



Project Name:

Location:

Item:

Qty.:

Model:

**GSD13**

Heavy Duty Deluxe Commercial Slicers



**GSD13**

Heavy Duty Deluxe Slicers

**FEATURE LIST**

Model:	GSD13
Description:	13"/330mm <b>Deluxe Slicer</b>
Voltage:	120/60/1 220/50/1 220/60/1
Rated Power:	1/3 Hp
Hopper	12" x 9 5/8" 305mm x 245mm
Cut Thickness:	1 1/8" 30mm
Net Weight:	79 lb 36kg
Shipping Weight:	90 lb 41kg
Dimensions:	28"W x 26"D x 24"H 710mm W x 665mm D x 615mm H

The General brand of commercial slicers has represented value and performance to the foodservice industry for over 30 years! The newly introduced "GSD" series of slicers is designed, engineered, and manufactured to perform in any medium to heavy duty foodservice operation with peak efficiency and unparalleled results. Our slicers are chrome plated and feature a ground slide rod with lapped cast iron bushings, resulting in one of the smoothest operating slicing machines in the industry. Safety features are the most important aspect of any slicer, and the "GSD" series of slicers comes standard with all safety requirements. For its incredible performance capabilities combined with its affordable pricing, the "GSD" series provides the best value in the marketplace today!



Specifications subject to change without notice.

Approvals:



**GENERAL**

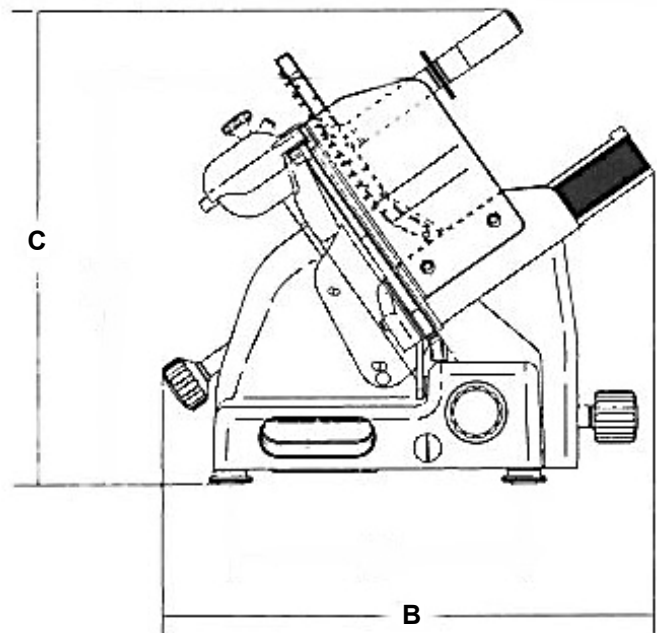
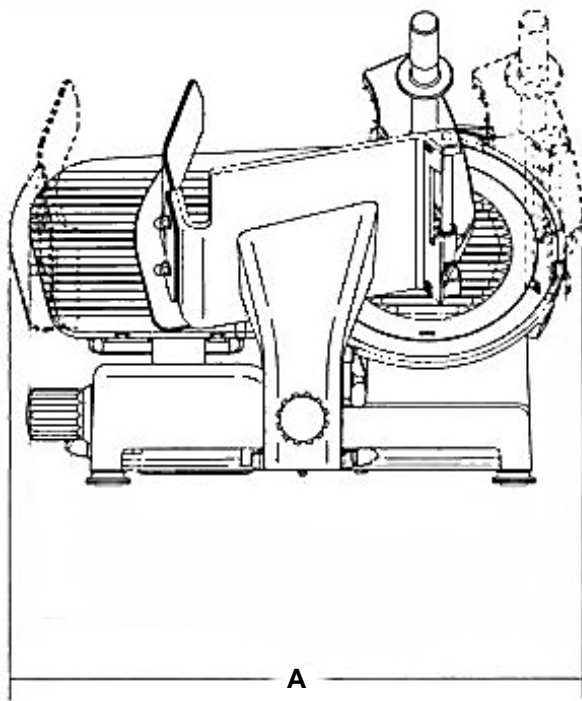
3355 Enterprise Ave • Suite 160 • Ft. Lauderdale, FL 33331  
Tel: 954.202.7419 • Fax: 954.202.7337 • www.asburyfoodservice.com  
General's continuing commitment to quality products may mean a change in specification or pricing without notice.



GSD13

PLAN VIEW

Heavy Duty Deluxe Commercial Slicers



Dimensional Data

Model	Description	Hopper	Power	A = Width	B = Depth	C = Height
GSD13	13"/330mm Deluxe Slicer	12" x 9 5/8" 305mm x 245mm	1/3 Hp	28" 710mm	26" 665mm	24" 615mm

- Chrome plated high carbon hollow ground steel knife
- Rounded design with no sharp edges, anodized exterior finish
- 1/3 hp motor, 110 volts/220 Volts, 50/60 HZ, 1 phase
- Enclosed and sealed high torque belt & pulley drive system
- Stainless steel slice deflector w/ bayonet fitting
- Chrome plated slide rod with self lubricating slide rod bushings
- Removable support cover for slice thickness gauge plate
- Built in and enclosed top mount sharpener system
- Blue plastic knobs and handles
- Full knife rim guard

- Special rounded plexi hand guard following shape of regulator plate
- Safety interlock system for carriage, locks regulator plate & thickness knob
- All stainless steel screws and fittings



GENERAL

3355 Enterprise Ave • Suite 160 • Ft. Lauderdale, FL 33331  
 Tel: 954.202.7419 • Fax: 954.202.7337 • www.asburyfoodservice.com  
 General's continuing commitment to quality products may mean a change in specification or pricing without notice.